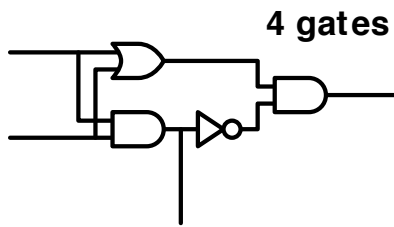
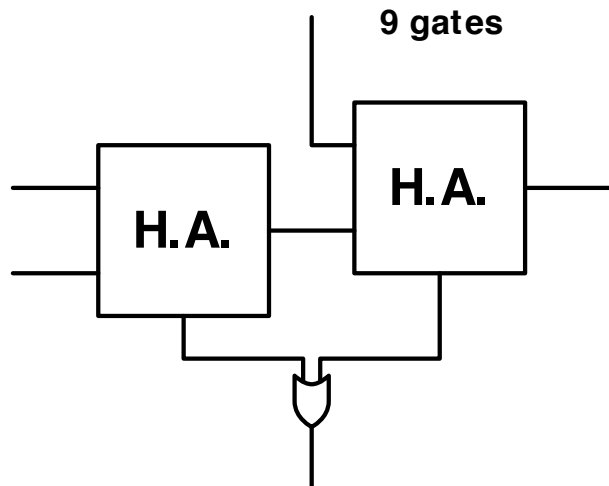


# Game of Life in 61 Gates

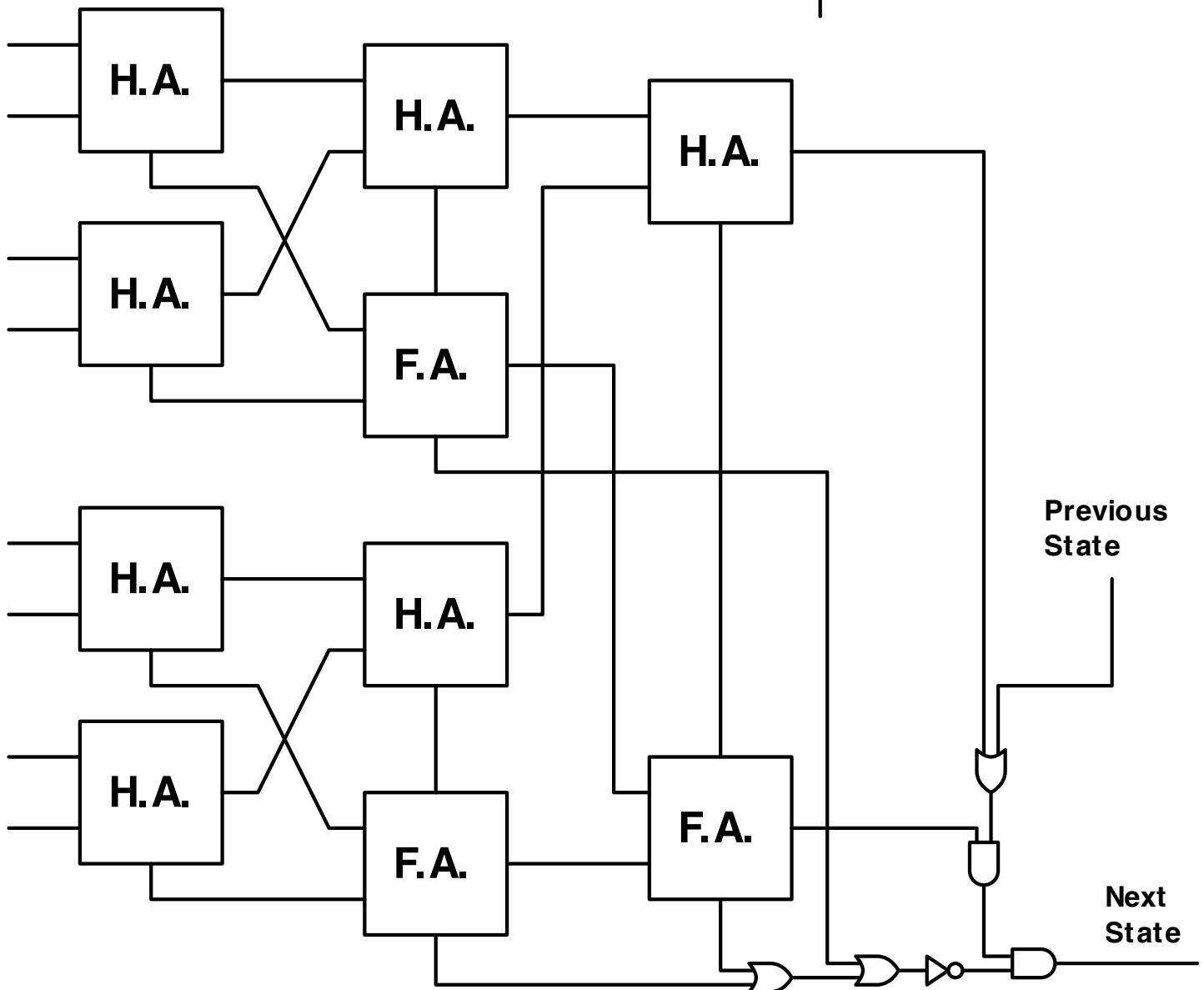
## Half Adder



## Full Adder



Adjacent  
Cells



7 half adders (28 gates), 3 full adders (27 gates), 6 other gates, TOTAL: 61 gates

If XOR were allowed, subtract 26 gates. If NOR were allowed, subtract 1 gate.