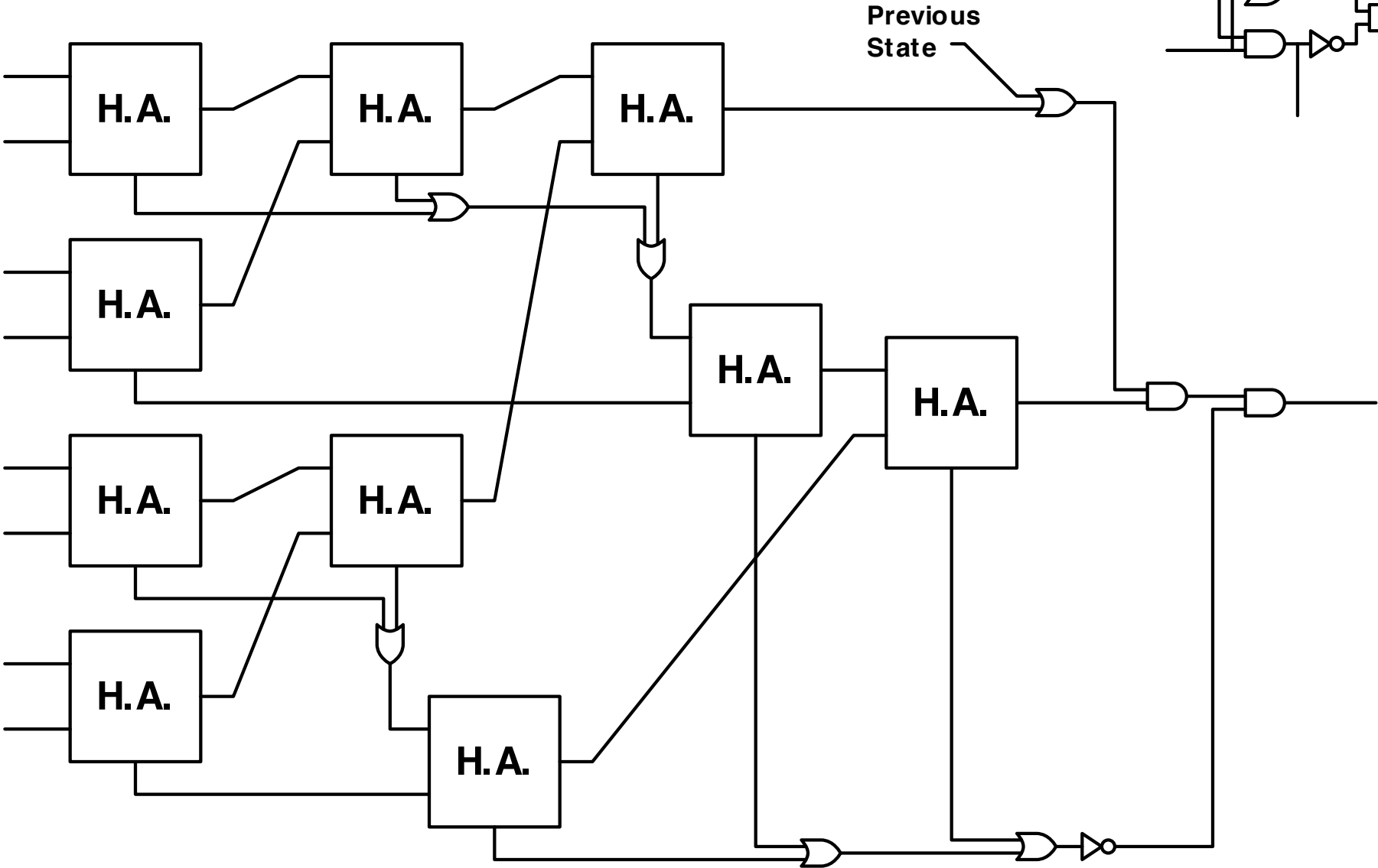
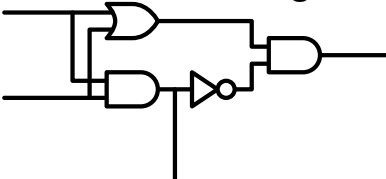


Game of Life in 49 Gates

Half Adder

4 gates



10 half adders (40 gates), 9 other gates, TOTAL: 49 gates